

TECHNICAL SERVICE BULLETIN

To: Dealer Service Staff

From: PowerBoss Technical Support

Date: 9-20-2019

Subject: Diagnostic Equipment needed to Flash software on the Scrubmaster B175R and B120R units

Reason for Change

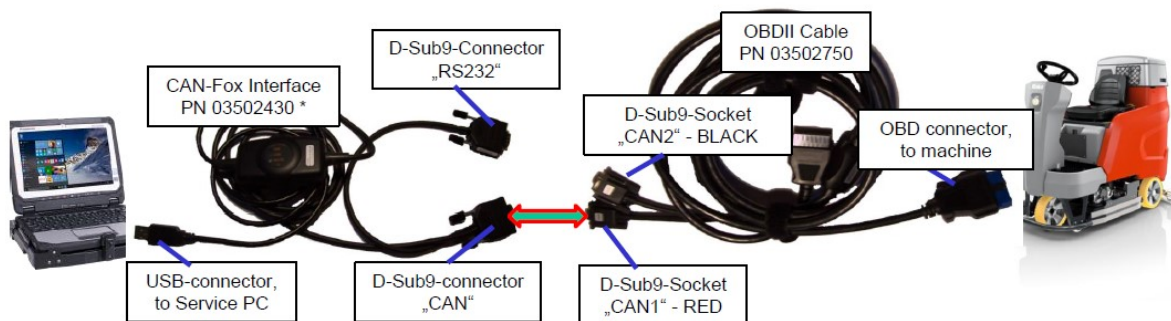
Needed for communication, flashing software to the Micro-SD card, controller and changing programs. Will also be required to use when replacing the main A-1 Controller

Improvement

Allows service to diagnose and repair the units.

Models/Serial Numbers Affected

All Scrubmaster B175R and B120R units



Reference Kit Instructions – For Installation Procedure refer to page 20 in the current service manual (Mar.2019).

You will need: K-SMDIAGKIT (Consists of the interface cables above at a reduced rate)

Service Laptop (Windows 7 or higher) with available USB ports

Micro- SD card reader. (Purchase locally)

Software can be downloaded from our FTP site.

We will have a couple kits available to use and return, freight not included, but will be limited to availability and may cause extended down time. An RGA will need to be requested to get full credit once returned.

Informational Only For Purchase Warranty Product Improvement